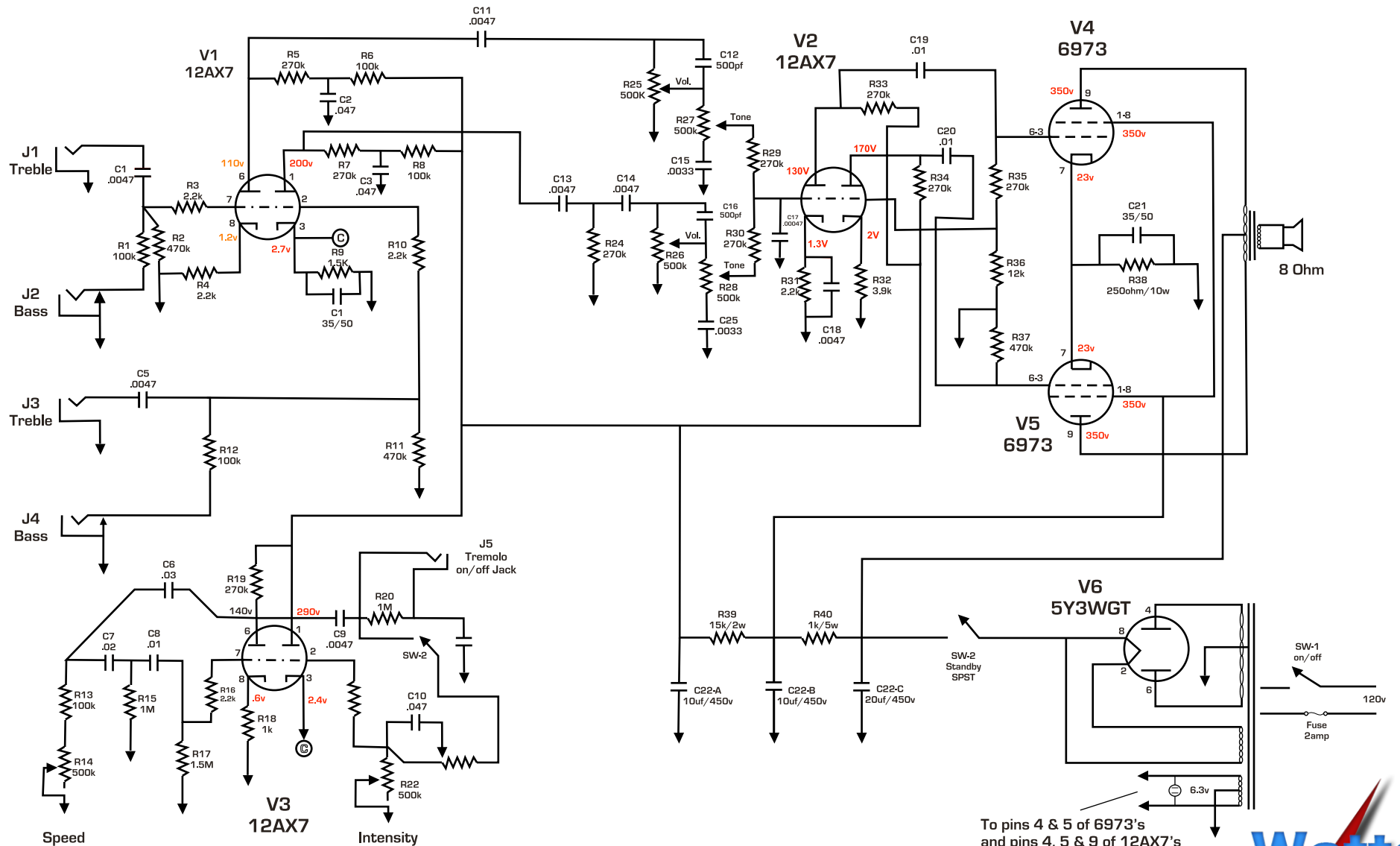


Supro Model 24 (s6424)

Redrawn and slightly modified by Ken Watts.



Note: All resistors are 1/2 watt unless otherwise noted.

* A few of the component values were changed slightly to reflect modern component values and safety standards.

